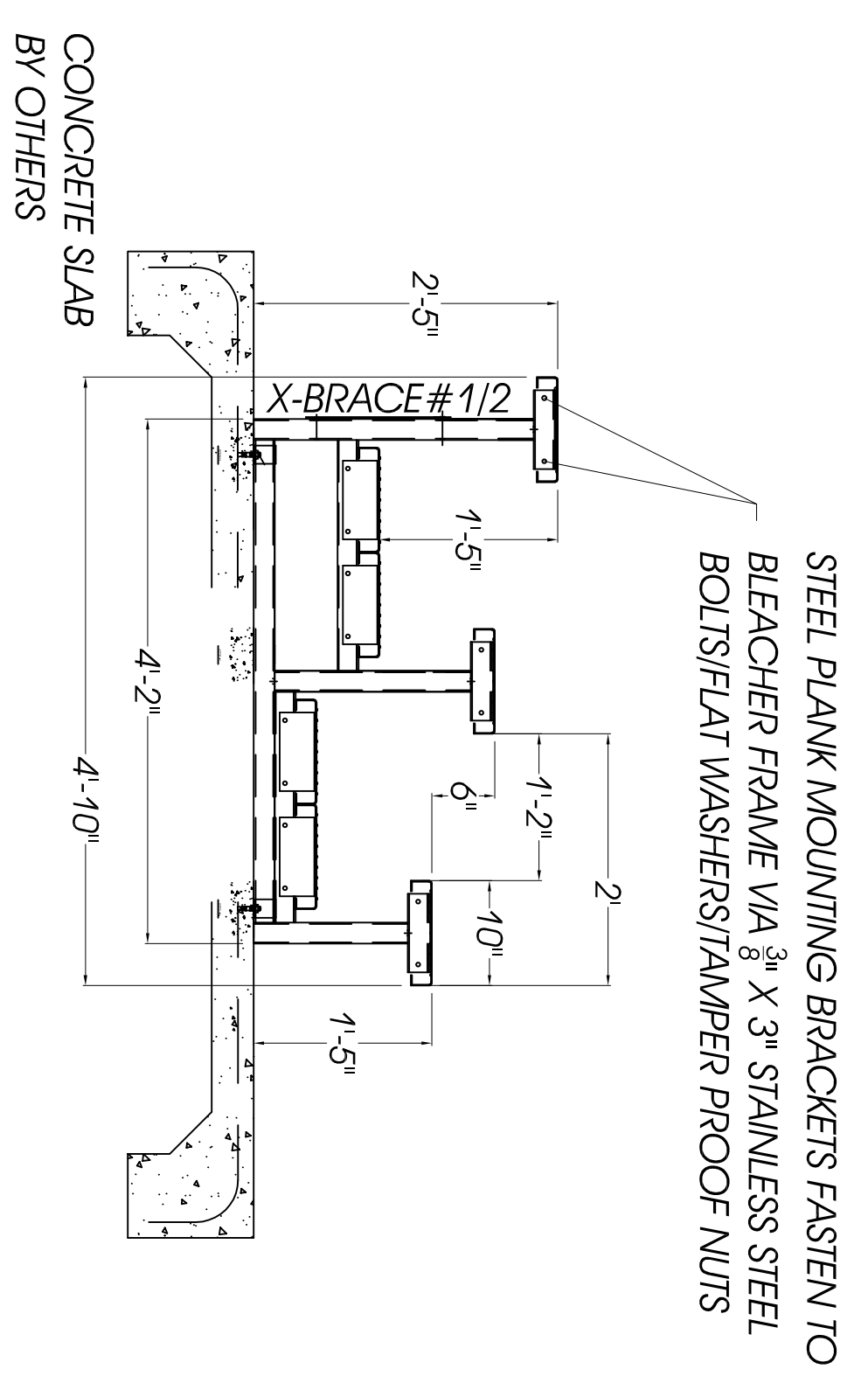


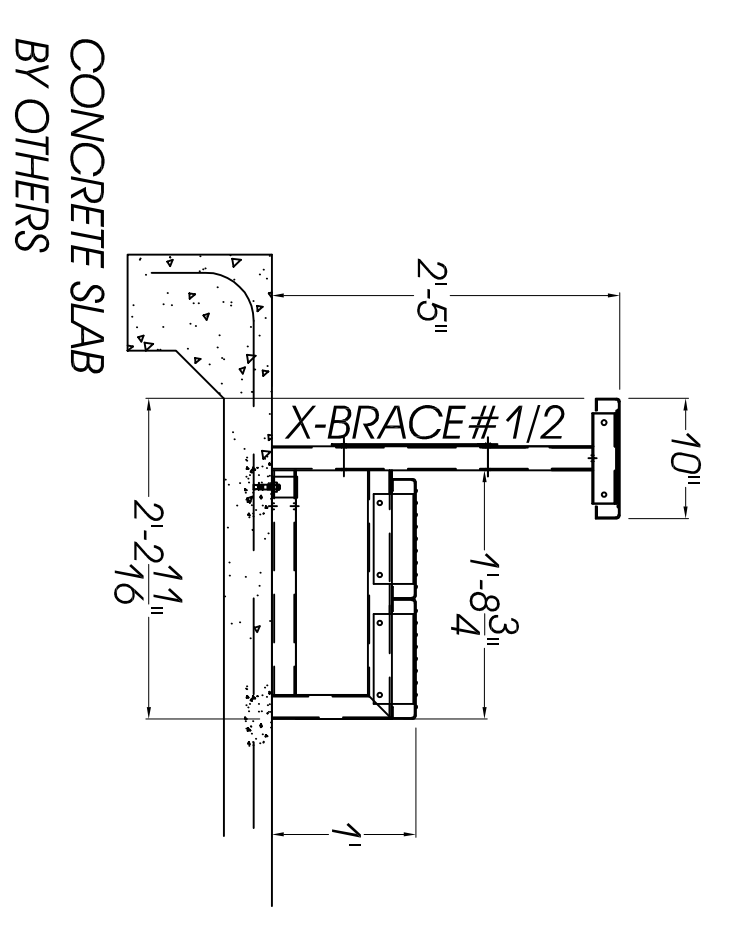
1 PLAN VIEW: (4 UNITS) 15' X 3 ROW TIERED SEATING SYSTEM
 NON-ELEVATED
 SCALE: 3/4" = 1'-0"
 22 BENCH SEATS AND 2 ADA SEATS PER UNIT
 TOTAL 96 SEATS

- ASSEMBLY NOTES:
- BLEACHER MOUNTS TO CONCRETE VIA $\frac{3}{8}$ " X 3-1/2" STAINLESS STEEL TAMPER PROOF CONCRETE WEDGE ANCHORS
 - CROSS BRACE CENTERS ARE BOLTED TOGETHER VIA $\frac{3}{8}$ " X 1-1/8" STAINLESS STEEL BOLTS/FLAT WASHERS/TAMPER PROOF NUTS
 - CROSS BRACES MOUNT TO BLEACHER FRAME VIA $\frac{3}{8}$ " X 3" STAINLESS STEEL BOLTS/FLAT WASHERS/TAMPER PROOF NUTS
 - STEEL PLANK MOUNTING BRACKETS FASTEN TO BLEACHER FRAME VIA $\frac{3}{8}$ " X 3" STAINLESS STEEL BOLTS/FLAT WASHERS/TAMPER PROOF NUTS
 - STEEL PLANKS FASTEN TOGETHER VIA $\frac{3}{8}$ " X 1" STAINLESS STEEL BOLTS/FLAT WASHERS/TAMPER PROOF NUTS

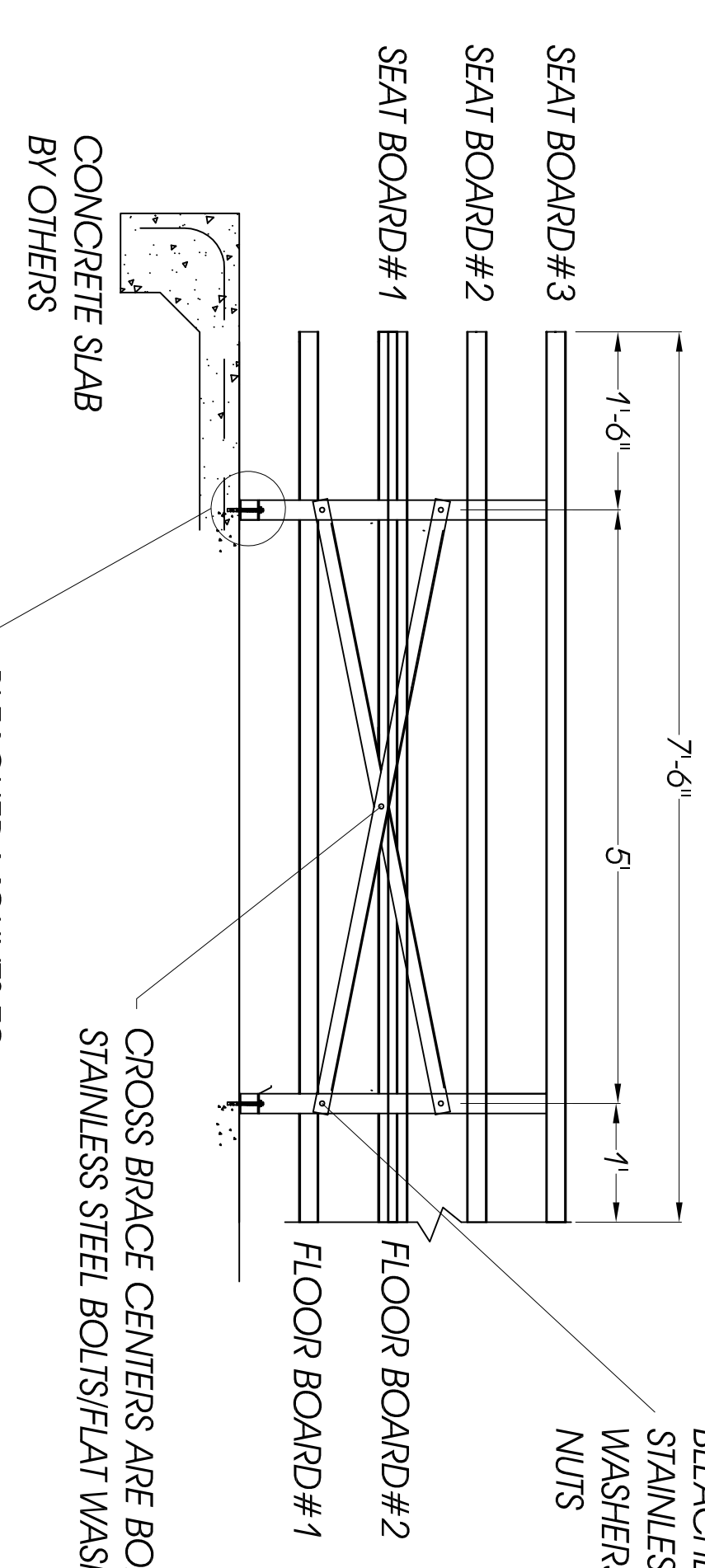


2 SIDE ELEVATION: 3 ROW STEEL FRAME
 NON-ELEVATED
 SCALE: 3/4" = 1'-0"
 6" RISE & 24" TREAD

STEEL PLANK MOUNTING BRACKETS FASTEN TO BLEACHER FRAME VIA $\frac{3}{8}$ " X 3" STAINLESS STEEL BOLTS/FLAT WASHERS/TAMPER PROOF NUTS



3 SIDE ELEVATION: 3 ROW STEEL ADA FRAME
 NON-ELEVATED
 SCALE: 3/4" = 1'-0"
 6" RISE & 24" TREAD

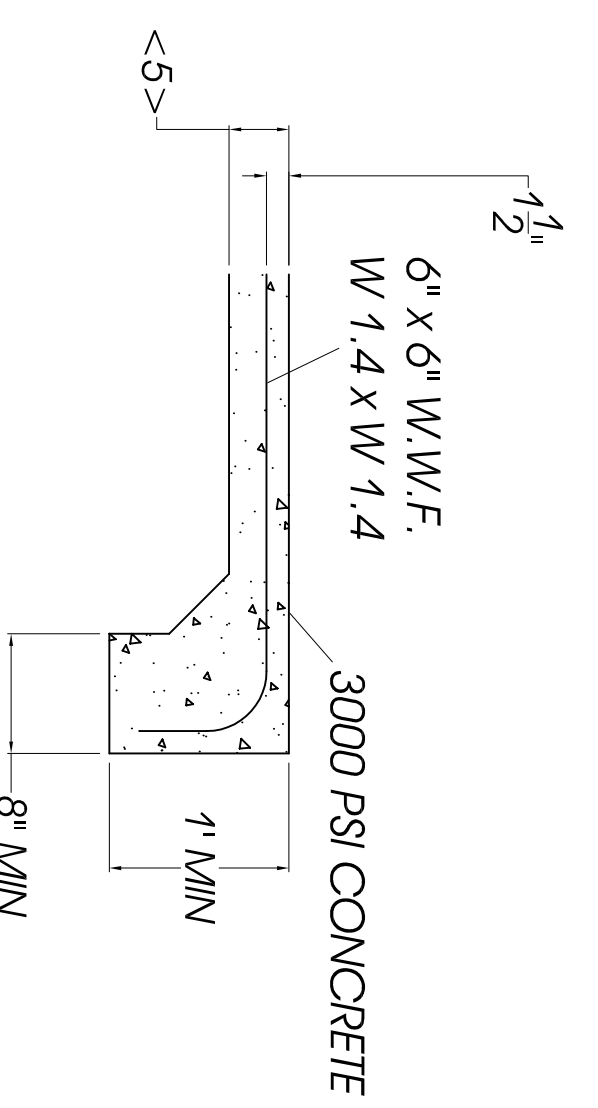


4 REAR VIEW:
 NON-ELEVATED
 SCALE: 3/4" = 1'-0"

CROSS BRACES MOUNT TO BLEACHER FRAME VIA $\frac{3}{8}$ " X 3" STAINLESS STEEL BOLTS/FLAT WASHERS/TAMPER PROOF NUTS

CROSS BRACE CENTERS ARE BOLTED TOGETHER VIA $\frac{3}{8}$ " X 1-1/8" STAINLESS STEEL BOLTS/FLAT WASHERS/TAMPER PROOF NUTS

BLEACHER MOUNTS TO CONCRETE VIA $\frac{3}{8}$ " X 3-1/2" STAINLESS STEEL TAMPER PROOF CONCRETE WEDGE ANCHORS



5 CONCRETE DETAIL:
 NON-ELEVATED
 SCALE: 3/4" = 1'-0"

REVISIONS		BY
#	DATE	ITEM
1		
2		
3		
4		
5		
6		

REPRESENTATIVE: DAWN CARRY	PROJECT MGR:	DRAWN BY: D. WANDASIEWICZ	JOB CODE:
DATE: 02-03-20	SIZE: D	DRAWING NAME: 2-3-20 STEEL BLEACHER 3 ROW 15 FT LONG WITH ADA.DWG	

PROJECT: BETSY HEAD PARK
SHEET TITLE: CONFIDENTIAL DOCUMENT NOT TO BE COPIED OR DISCLOSED WITHOUT WRITTEN PERMISSION FROM INPRODUCTION.

SHEET: A1
 REVISION: 0



60 AUSTIN BLVD.
 COMMACK, NY, 11725
 (631) 845-0449
 www.InProduction.net