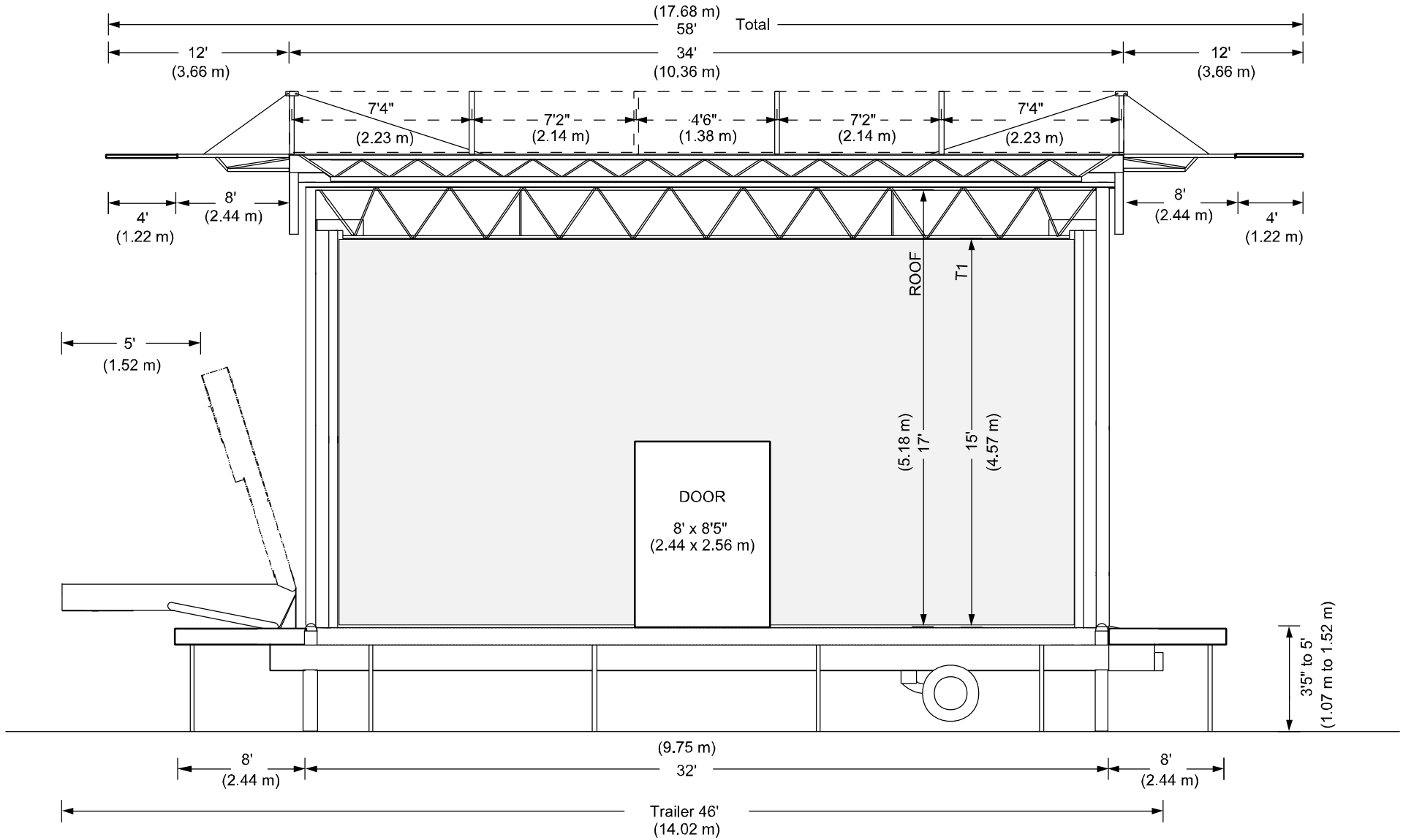




700, Marsolais Street
 L'Assomption (Québec)
 Canada J5W 2G9
 Tel: (450) 589-1063
 or 1-800-267-8243
 Fax: (450) 589-1711
 Web site: www.stageline.com
 E-mail: info@stageline.com

Stageline SL 250



DOWN STAGE

FRONT VIEW / WINDWALL

Stage specifications subject to change without notice
 Figures are within inch or cm to actual size

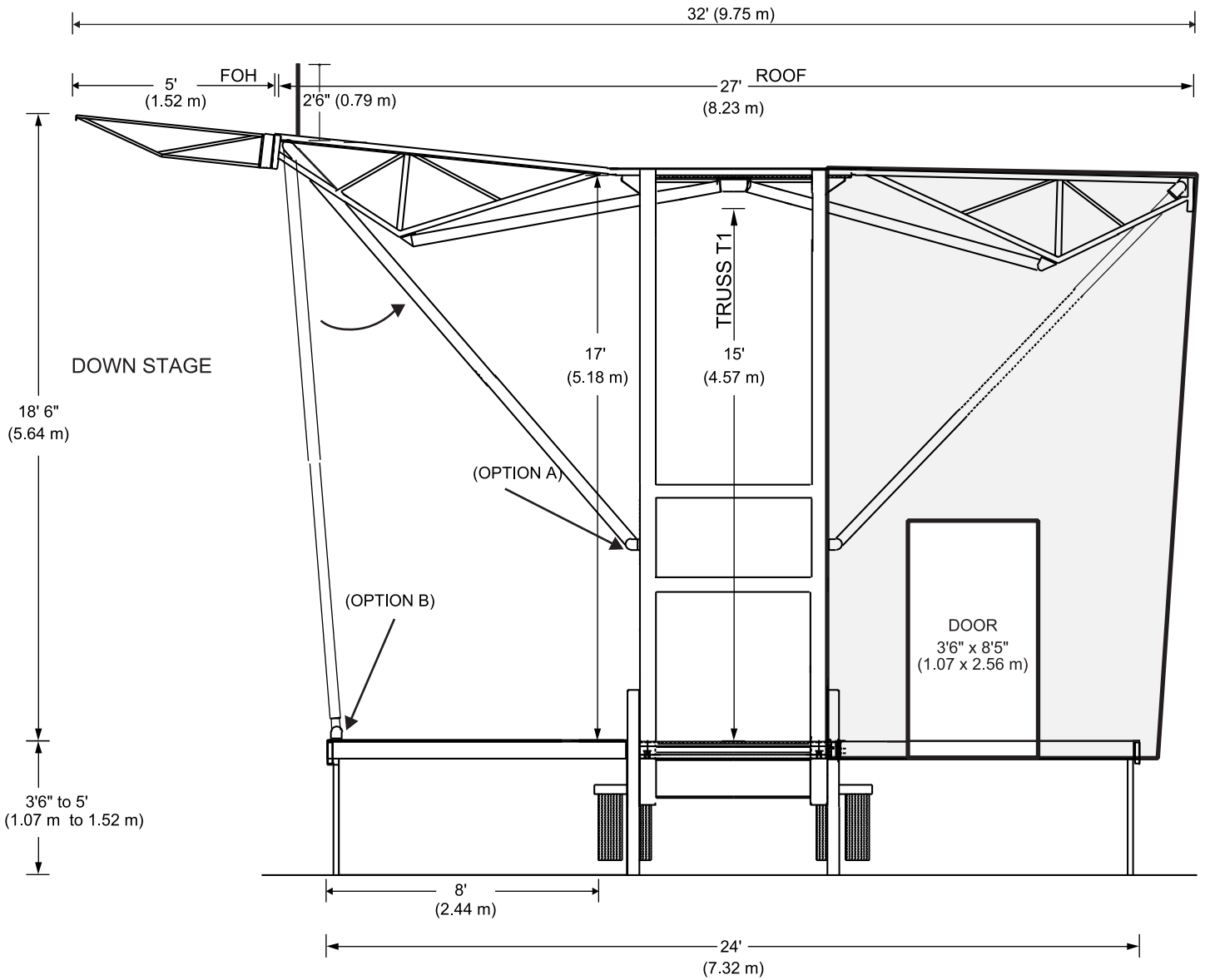
©1999 - All rights reserved Stageline® Mobile Stage Inc. Any and all forms of adaptation or reproduction of this document including plans and drawings found herein, in whole or in part, is strictly forbidden without the written authorisation of Stageline® Mobile Stage Inc.

Date : 27-03-01
 Ref no : D09-V-252-A
 Revision 5



® 700, Marsolais Street
L'Assomption (Québec)
Canada J5W 2G9
Tel: (450) 589-1063
or 1-800-267-8243
Fax: (450) 589-1711
Web site: www.stageline.com
E-mail: info@stageline.com

Stageline SL 250



Option A : Front and side extensions are not to be used.

SIDE VIEW / WIND WALL

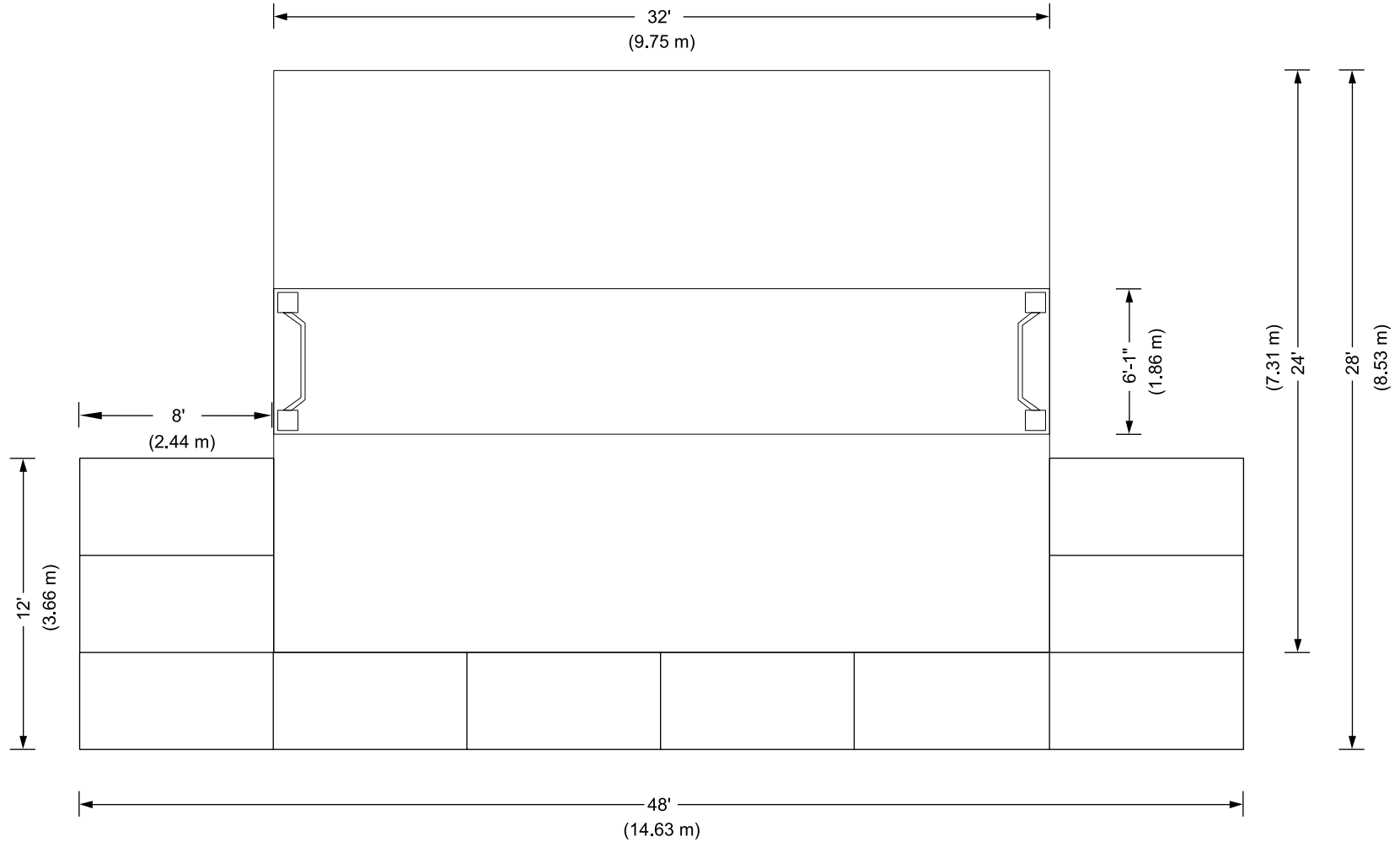
Stage specifications subject to change without notice
Figures are within inch or cm to actual size

Date : 00-06-07
Ref no : D09-V-251-A
Revision 4



700, Marsolais Street
L'Assomption (Québec)
Canada J5W 2G9
Tel: (450) 589-1063
or 1-800-267-8243
Fax: (450) 589-1711
Web site: www.stageline.com
E-mail: info@stageline.com

Stageline SL 250



DOWN STAGE

CAPACITY: 100 lb / ft² (490 kg / m²)

FLOOR VIEW WITH FLOOR EXTENSIONS

Stage specifications subject to change without notice
Figures are within inch or cm to actual size

©1999 – All rights reserved Stageline Mobile Stage inc[®]. Any and all forms of adaptation or reproduction of this document including plans and drawings found herein, in whole or in part, is strictly forbidden without the written authorisation of Stageline Mobile Stage inc[®].

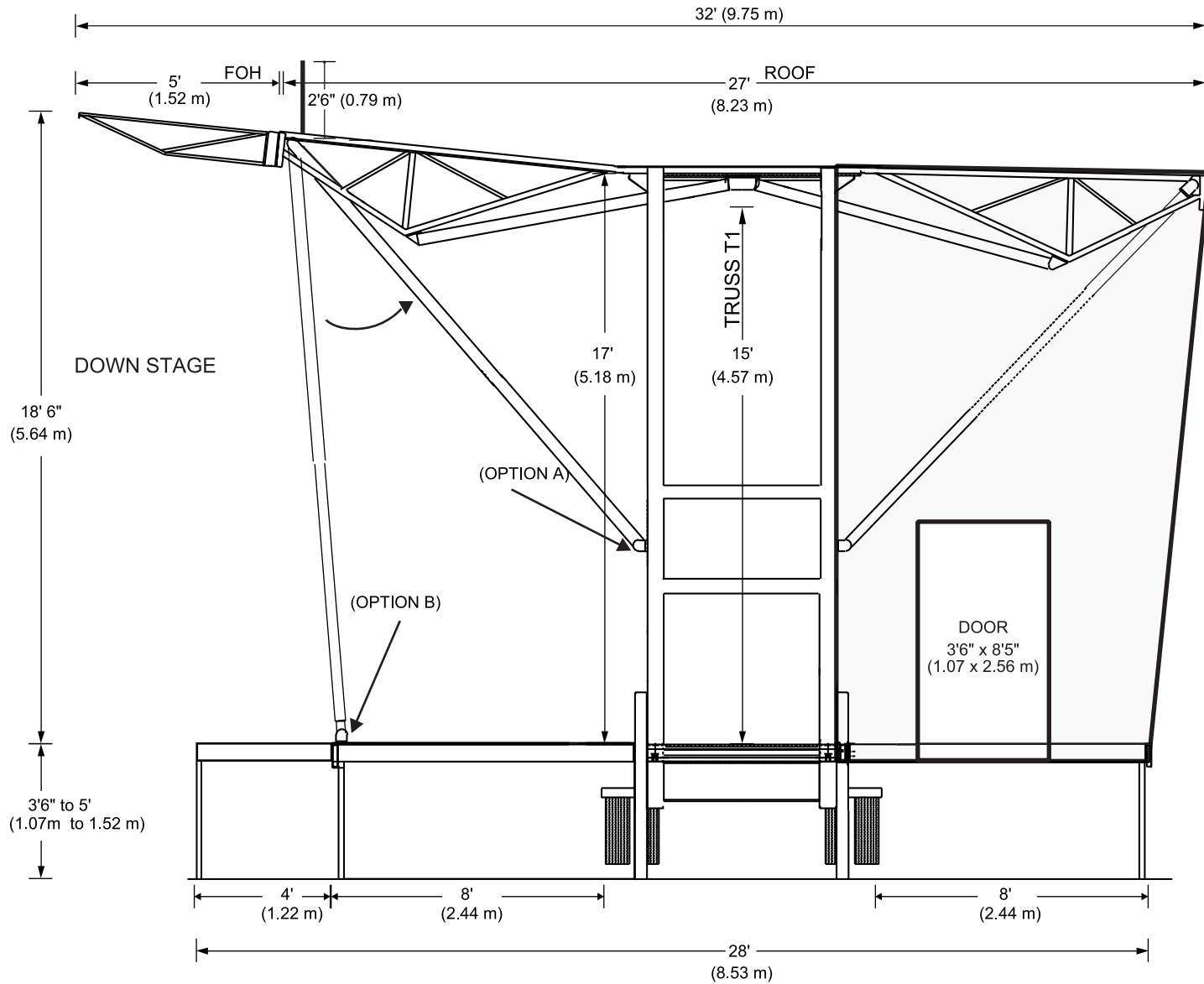
Date : 00-06-07
Ref no : D09-V- 253-A
Revision 3



700, Marsolais Street
 L'Assomption (Québec)
 Canada J5W 2G9
 Tel: (450) 589-1063
 or 1-800-267-8243
 Fax: (450) 589-1711
 Web site: www.stageline.com
 E-mail: info@stageline.com

Stageline SL 250

FRONT FLOOR EXTENSIONS



Option A : Front and side extensions are not to be used.

SIDE VIEW / WIND WALL

Stage specifications subject to change without notice
 Figures are within inch or cm to actual size

©1999 – All rights reserved Stageline Mobile Stage inc®. Any and all forms of adaptation or reproduction of this document including plans and drawings found herein, in whole or in part, is strictly forbidden without the written authorisation of Stageline Mobile Stage inc®.

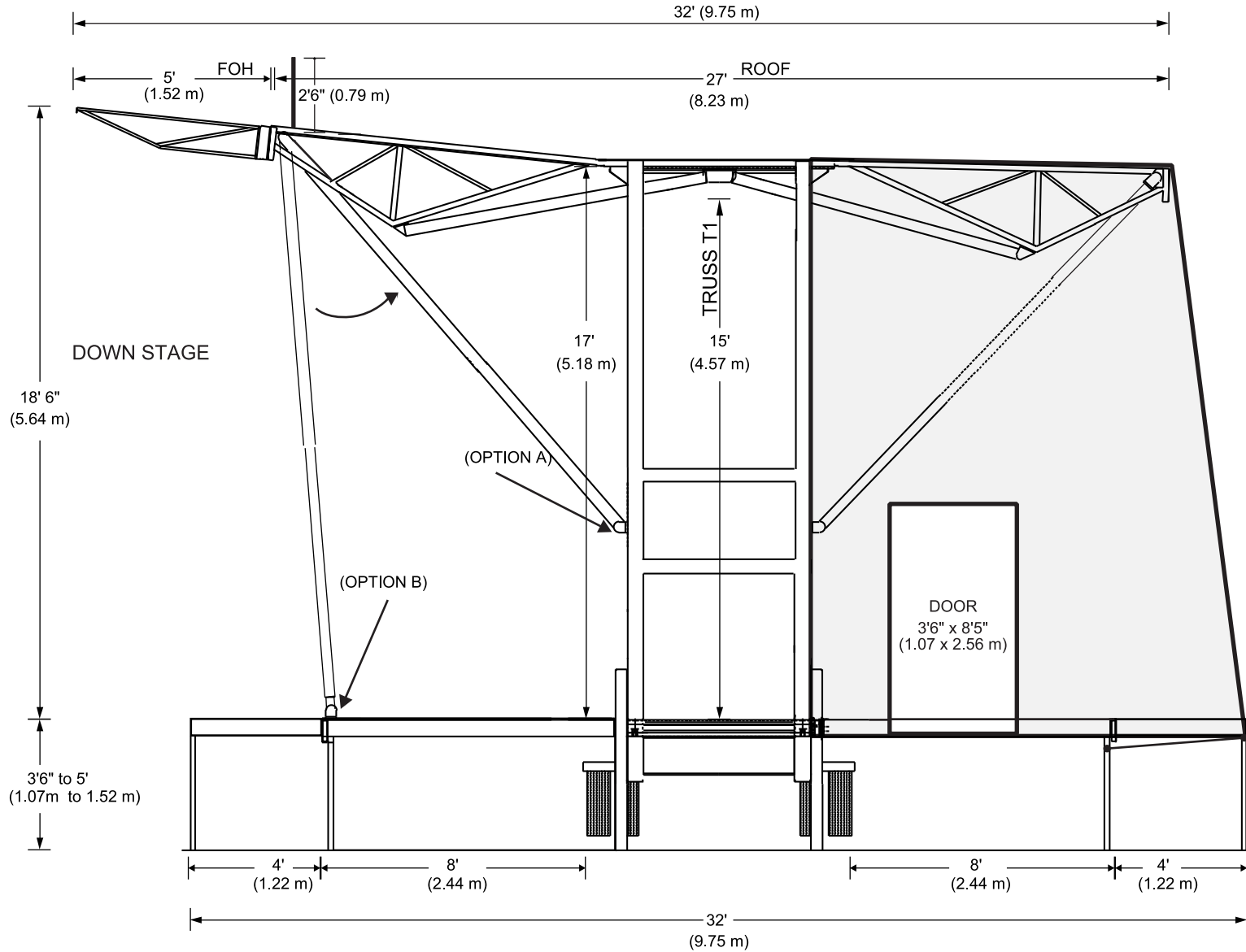
Date : 00-06-15
 Ref # : D09-V-257-A
 Revision 0



700, Marsolais Street
 L'Assomption (Québec)
 Canada J5W 2G9
 Tel: (450) 589-1063
 or 1-800-267-8243
 Fax: (450) 589-1711
 Web site: www.stageline.com
 E-mail: info@stageline.com

Stageline SL 250

FRONT AND REAR FLOOR EXTENSIONS



Option A : Front and side extensions are not to be used.

SIDE VIEW / WIND WALL

Stage specifications subject to change without notice
 Figures are within inch or cm to actual size

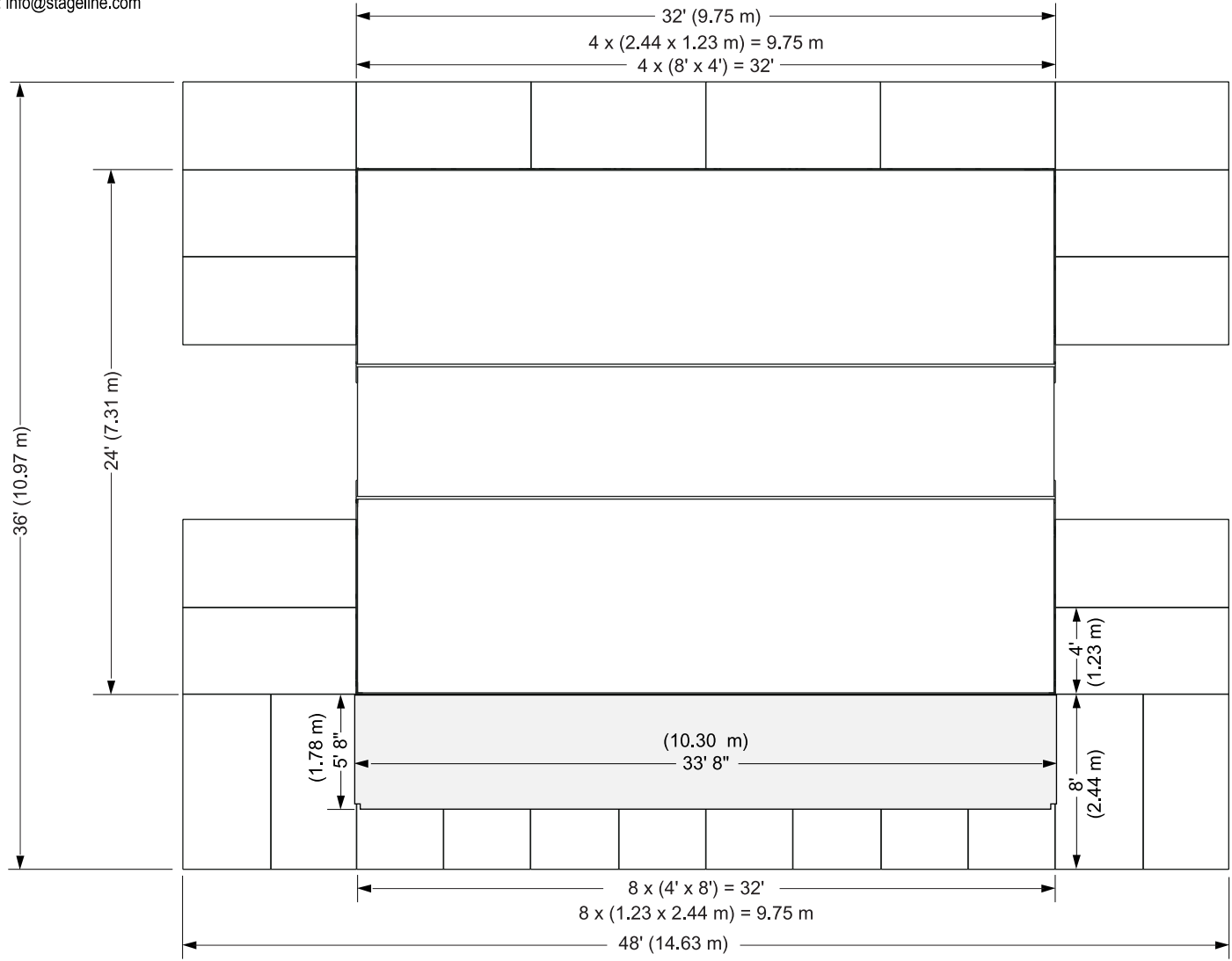
©1999 – All rights reserved Stageline Mobile Stage inc®. Any and all forms of adaptation or reproduction of this document including plans and drawings found herein, in whole or in part, is strictly forbidden without the written authorisation of Stageline Mobile Stage inc®.

Date : 00-06-15
 Ref # : D09-V-258-A
 Revision 0



700, Marsolais Street
 L'Assomption (Québec)
 Canada J5W 2G9
 Tel: (450) 589-1063
 or 1-800-267-8243
 Fax: (450) 589-1711
 Web site: www.stageline.com
 E-mail: info@stageline.com

Stageline SL 250



Down Stage

Capacity: 100 lbs / ft² (490 kg / m²)

Extended Floor Dimensions 14.6 x 11 m (48' x 36')

Stage specifications subject to change without notice
 Figures are within inch or cm to actual size

© 2001 – All rights reserved Stageline Mobile Stage Inc. Any and all forms of adaptation or reproduction of this document including plans and drawings found herein, in whole or in part, is strictly forbidden without the written authorisation of Stageline Mobile Stage Inc.

Date : 2001-05-24
 Ref no : D09-V- 261-A
 Revision 1



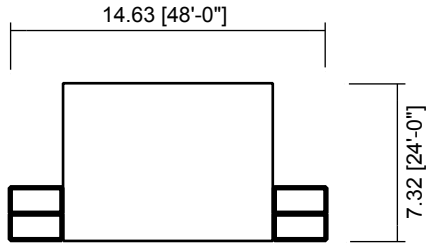
700, Marsolais Street
 L'Assomption (Quebec)
 Canada J5W 2G9
 Tel: (450) 589-1063
 or 1-800-267-8243
 Fax: (450) 589-1711
 Web site: www.stageline.com
 E-mail: info@stageline.com

Stageline SL 250

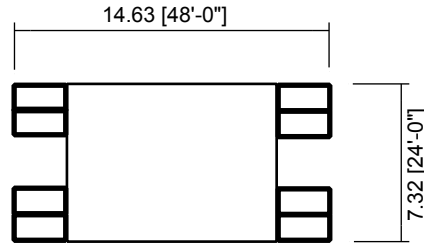
Legend

Stage floor : 9.8 x 7.3 m (32' x 24')

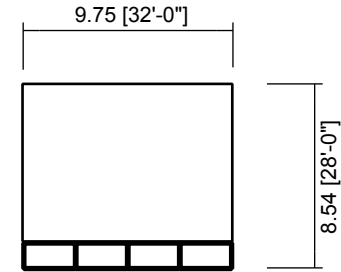
Extension platform : 1.2 x 2.4 m (4' x 8')



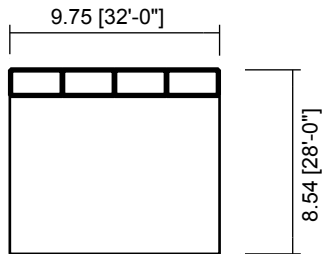
OPTION 1
 14.6 x 7.3 m
 (48' x 24')



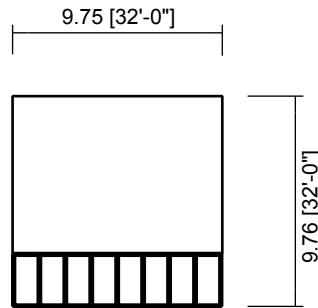
OPTION 2
 14.6 x 7.3 m
 (48' x 24')



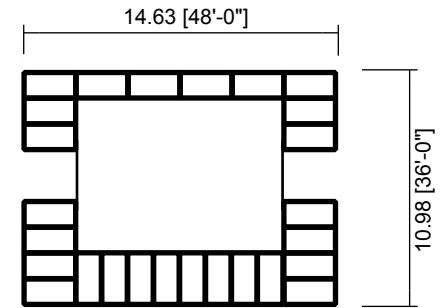
OPTION 3
 9.8 x 8.5 m
 (32' x 28')



OPTION 4
 9.8 x 8.5 m
 (32' x 28')



OPTION 5
 9.8 x 9.8 m
 (32' x 32')



OPTION 6
 14.6 x 11.0 m
 (48' x 36')

Extension Platforms Layouts - for Special Projects

Stage specifications subject to change without notice. Figures are within inch or cm to actual size.

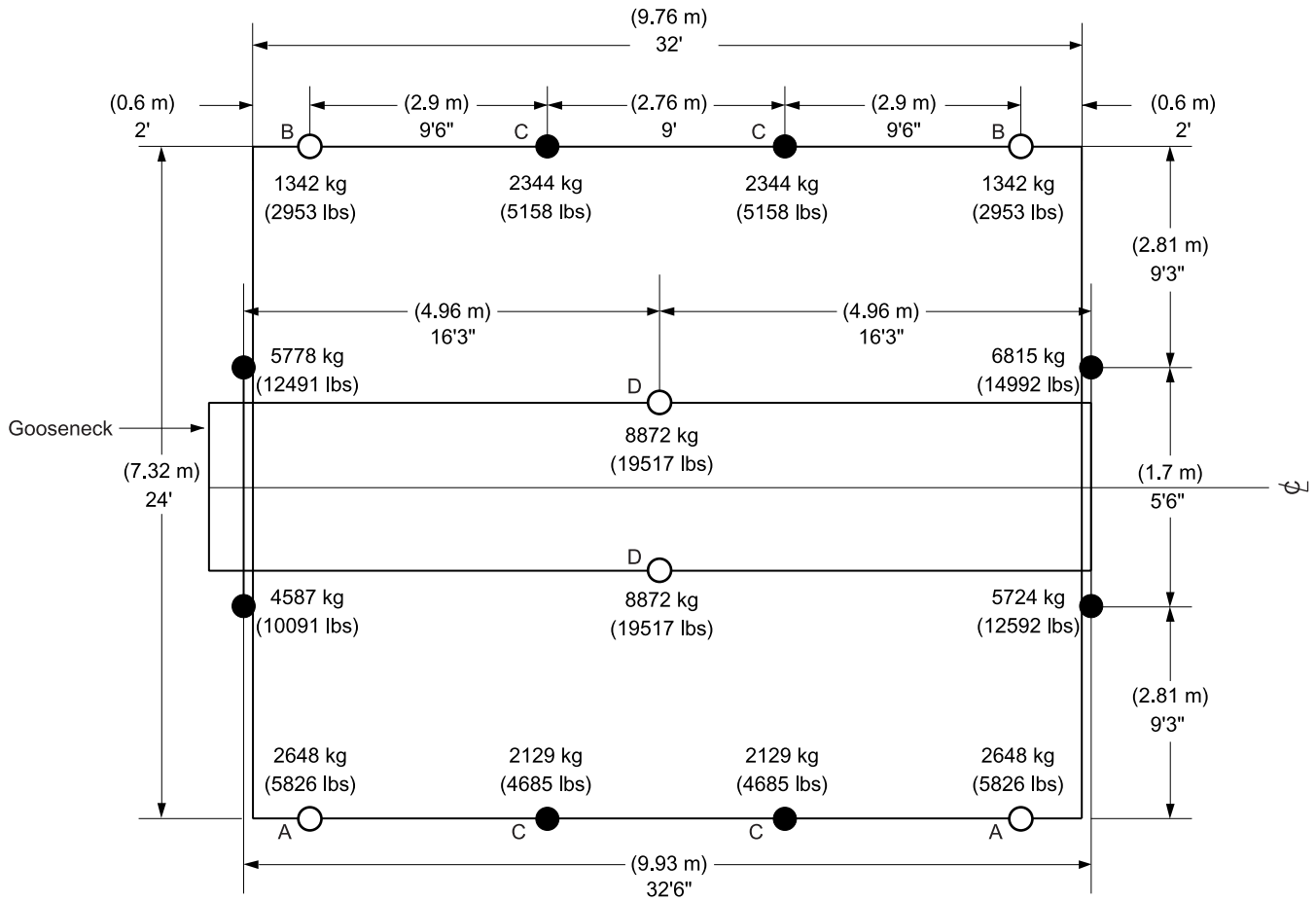
2001 - All rights reserved, Stageline Mobile Stage inc. Any and all forms of adaptation or reproduction of this document including plans and drawings found herein, in whole or in part, is strictly forbidden without the written authorisation of Stageline Mobile Stage inc.

Date : 2001-08-20
 Ref no : D09-V- 262-A
 Revision 1



® 700, Marsolais Street
 L'Assomption (Quebec)
 Canada J5W 2G9
 Tel: (450) 589-1063
 or 1-800-267-8243
 Fax: (450) 589-1711
 Web Site: www.stageline.com
 Email: info@stageline.com

Stageline SL 250



DOWN STAGE

Maximum Ground support capacity kg (lbs)

LOAD DISTRIBUTION TO GROUND

- : White floor stabilizers, extensions and solid levelling jacks (steel).
- : Floor stabilizers, extensions and hollow levelling jacks.

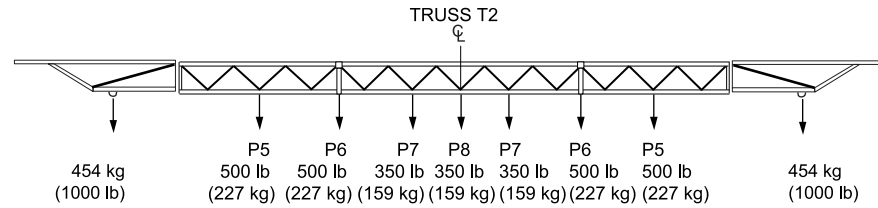
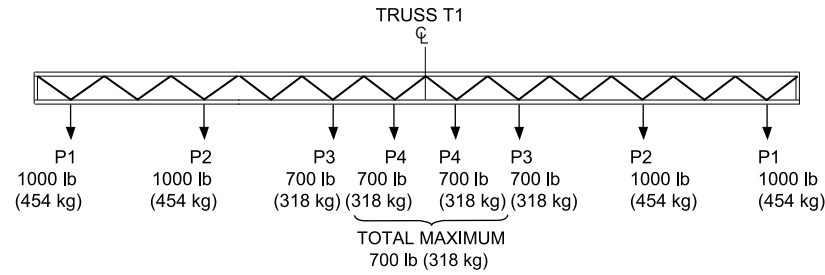
*Nominal specifications subject to change without notice.



700, Marsolais Street
 L'Assomption (Québec)
 Canada J5W 2G9
 Tel: (450) 589-1063
 or 1-800-267-8243
 Fax: (450) 589-1711
 Web site: www.stageline.com
 E-mail: info@stageline.com

Stageline SL 250

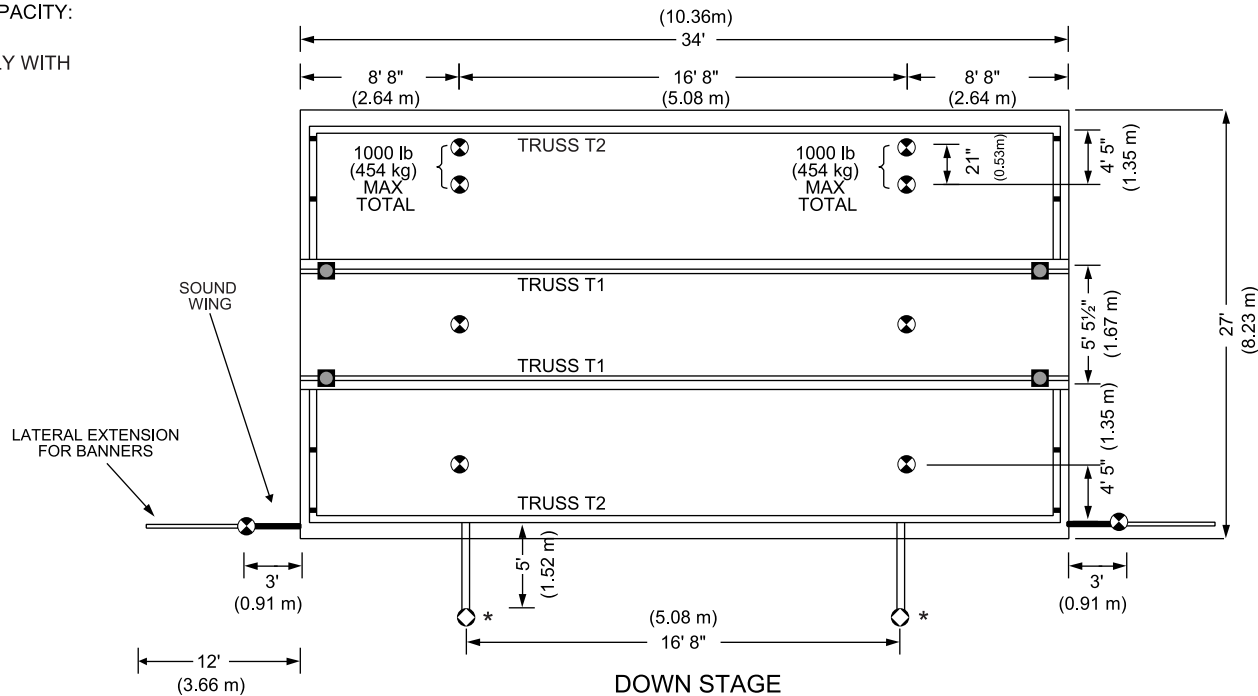
LOAD BEARING TRUSSES



RIGGING PATTERNS

T1: USE P1 or P2 or P3 or P4
 T2: USE P5 or P6 or P7 or P8

- ⊗ RIGGING POINT: Max. cap, 1000 lb (454 kg).
- ◇ RIGGING POINT: Max. cap, 500 lb (227 kg).*
- MAXIMUM LOAD BEARING CAPACITY:
12 000 lb (5455 kg)
- * DO NOT RIG CONCURRENTLY WITH
LOADS ON TRUSS T2



RIGGING PLAN

Stage specifications subject
 to change without notice
 Figures are within inch
 or cm to actual size

©1999 – All rights reserved Stageline Mobile Stage inc[®]. Any and all forms of adaptation or reproduction of this document including plans and drawings found herein, in whole or in part, is strictly forbidden without the written authorisation of Stageline Mobile Stage inc[®].

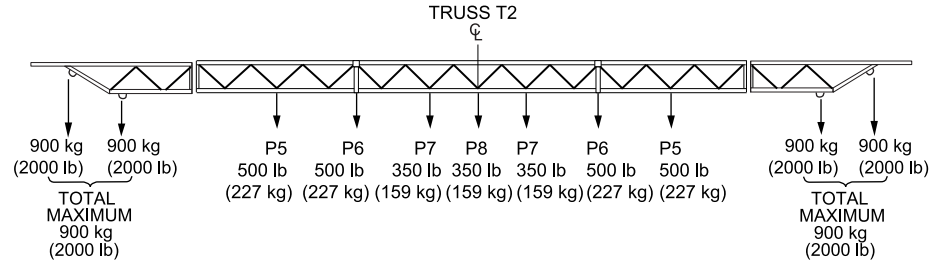
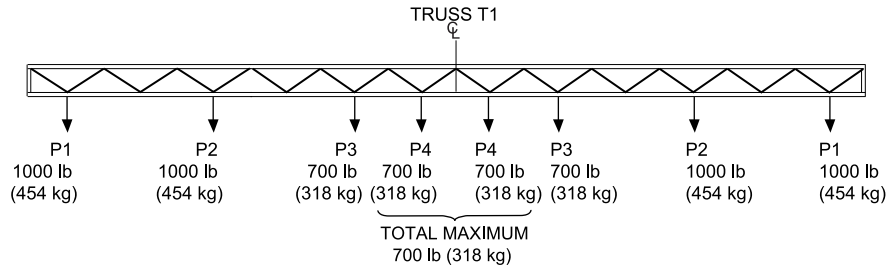
Date : 00-06-07
 Ref no : D09-V-254-A
 Revision 4



700, Marsolais Street
 L'Assomption (Québec)
 Canada J5W 2G9
 Tel: (450) 589-1063
 or 1-800-267-8243
 Fax: (450) 589-1711
 Web site: www.stageline.com
 E-mail: info@stageline.com

Stageline SL 250 / option 2 000 lb (900 kg)

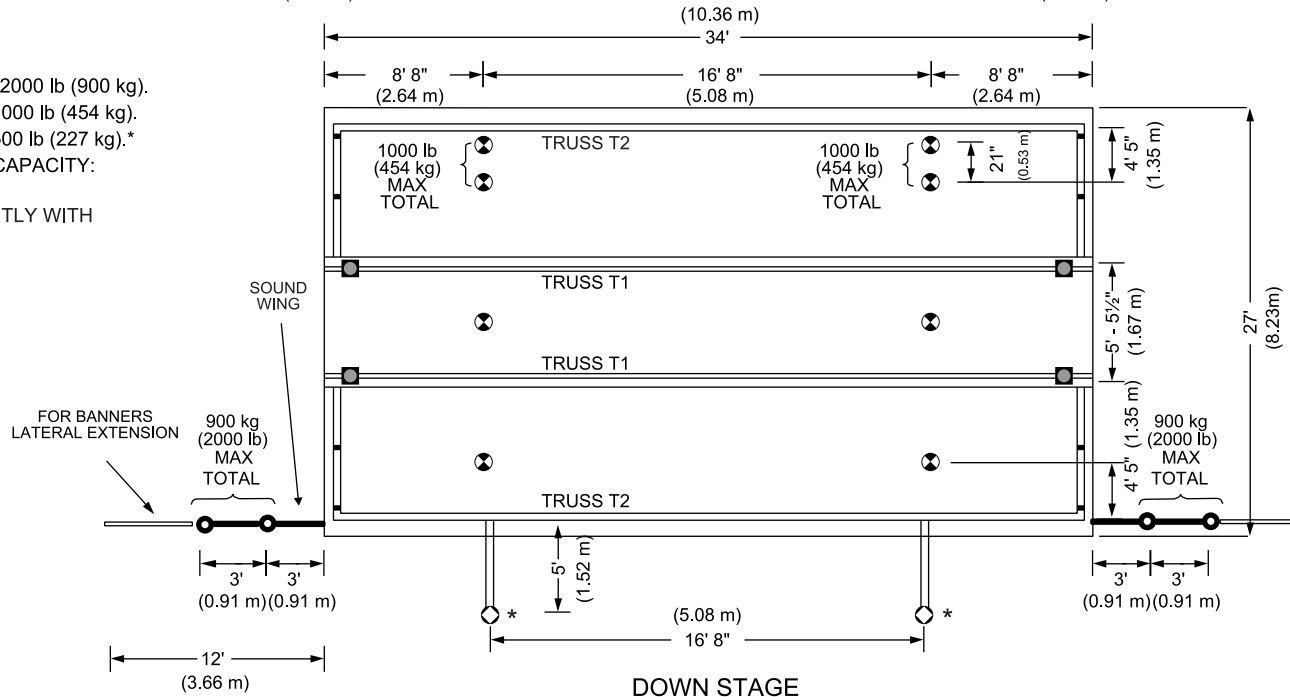
LOAD BEARING TRUSSES



RIGGING PATTERNS

T1: USE P1 or P2 or P3 or P4
 T2: USE P5 or P6 or P7 or P8

- RIGGING POINT: Max. cap., 2000 lb (900 kg).
- ⊗ RIGGING POINT: Max. cap, 1000 lb (454 kg).
- ◇ RIGGING POINT: Max. cap, 500 lb (227 kg).*
- MAXIMUM LOAD BEARING CAPACITY: 12 000 lb (5455kg)
- * DO NOT RIG CONCURRENTLY WITH LOADS ON TRUSS T2



RIGGING PLAN

Stage specifications subject to change without notice
 Figures are within inch or cm to actual size